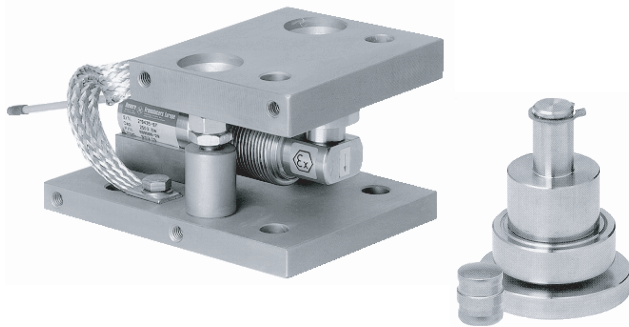


9102 Self Aligning Mounts



FEATURES

- Capacities: 200 - 2500lbs
- Hardened components at all bearing surfaces
- Rocker pin load introduction
- Built in horizontal movement control and lift-off protection
- Load cell (re)placement after installation of the mount

OPTIONAL FEATURES

- Stainless steel or Nickel plated steel versions available
- Optional stay rod assembly

DESCRIPTION

The 9102 self aligning silo mount, combined with the 9102 load cell family, provides high accuracy weighing assemblies suitable for process control, batch weighing, silo/hopper and belt scale applications.

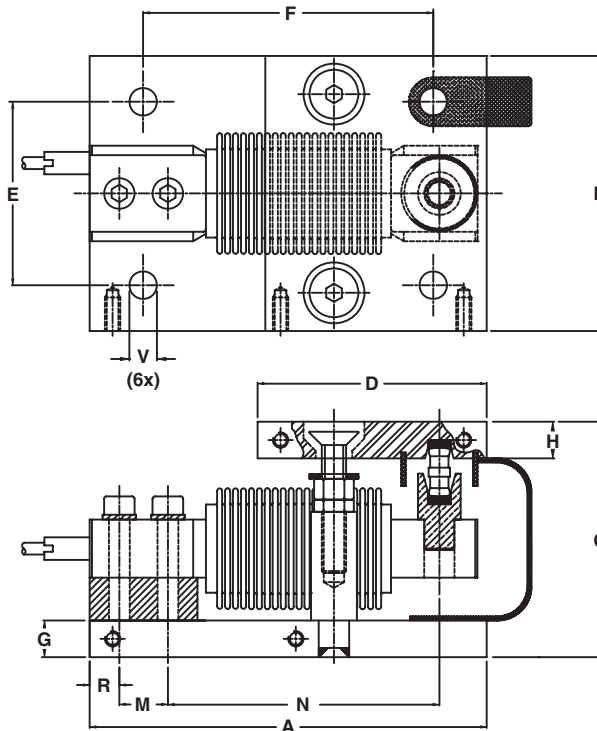
The 9102 foot assembly is an ideal solution for medium capacity belt, pallet and platform scales.

The 9102 mount and foot are based on a rocker pin design, combining excellent load introduction to the transducer with an overall low profile. Hardened components are used at all load bearing surfaces. The stainless steel construction guarantees long term reliability, even in the most harsh of environments.

APPLICATIONS

- Process control
- Batch weighing
- Silo/hopper weighing
- Belt scale weighing

OUTLINE DIMENSIONS in mm

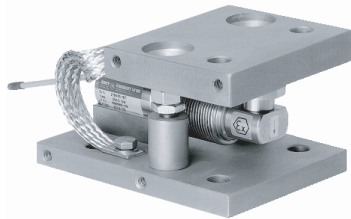


| Capacity | 50 - 200lbs | 500 - 2500lbs |
|----------|-------------|---------------|
| A | 130 | 160 |
| B | 90 | 120 |
| C | 77 | 90 |
| D | 75 | 100 |
| E | 60 | 80 |
| F | 95 | 100 |
| G | 12 | 15 |
| H | 12 | 20 |
| R | 9.7 | 25.8 |
| M | 15.9 | 25.4 |
| N | 88.9 | 82.6 |
| V | Ø9 | Ø14 |

ACCESSORIES

Self Aligning Mount

The 9102 mount permits controlled horizontal movement in all directions. The design allows the load cell to be (re)placed after installation of the mount. The critical load introduction area is mechanically protected.



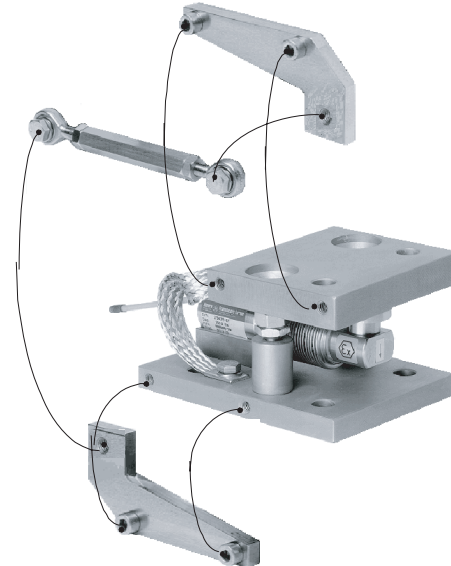
Height Adjustable Foot

The stainless steel foot, which has 5mm of height adjustment, provides excellent load introduction to the load cell. The foot allows flexibility in platform design without compromising overall system performance.



Stay Rod Assembly

If major load movement is anticipated stay rods should be used to restrain a platform or vessel. The 9102 stay rod assembly can be bolted to the mount prior to, or after its installation.



| FURTHER INFORMATION | | Height, LC + assembly (50 200) | | Height, LC + assembly (500/1000) | | Height, LC + assembly (2500) | |
|------------------------------|----|-----------------------------------|---------------|-------------------------------------|---------------|---------------------------------|---------------|
| | | Stainless steel | Nickel plated | Stainless steel | Nickel plated | Stainless steel | Nickel plated |
| Self Aligning Mount | mm | 77 | | 90 | | 90 | |
| Height Adj. Foot | mm | 64+5 | | 74+5 | | 74+5 | |
| Mount / Foot | | Outline drawing (50 200) | | Outline drawing (500/1000) | | Outline drawing (2500) | |
| | | Stainless steel | Nickel plated | Stainless steel | Nickel plated | Stainless steel | Nickel plated |
| Self Aligning Mount | | 499049-10 | 499049-00 | 499052-10 | 499052-00 | 499053-10 | 499053-00 |
| Stay Rod Assembly | | 499061-10 | 499061-00 | 499068-10 | 499068-00 | 499068-10 | 499068-00 |
| Height Adj. Foot | | 499071 | | 499072 | | 499073 | |
| Mount Assembly guidelines | | AG 10/06-106/02 | | AG 10/06-107/02 | | | |
| Stay Rod Assembly guidelines | | AG 09/06-202/02 | | AG 10/06-200/02 | | | |

Disclaimer

All product specifications and data are subject to change without notice.

Vishay Precision Group, Inc., its affiliates, agents, and employees, and all persons acting on its or their behalf (collectively, "Vishay Precision Group"), disclaim any and all liability for any errors, inaccuracies or incompleteness contained herein or in any other disclosure relating to any product.

Vishay Precision Group disclaims any and all liability arising out of the use or application of any product described herein or of any information provided herein to the maximum extent permitted by law. The product specifications do not expand or otherwise modify Vishay Precision Group's terms and conditions of purchase, including but not limited to the warranty expressed therein, which apply to these products.

No license, express or implied, by estoppel or otherwise, to any intellectual property rights is granted by this document or by any conduct of Vishay Precision Group.

The products shown herein are not designed for use in medical, life-saving, or life-sustaining applications unless otherwise expressly indicated. Customers using or selling Vishay Precision Group products not expressly indicated for use in such applications do so entirely at their own risk and agree to fully indemnify Vishay Precision Group for any damages arising or resulting from such use or sale. Please contact authorized Vishay Precision Group personnel to obtain written terms and conditions regarding products designed for such applications.

Product names and markings noted herein may be trademarks of their respective owners.